

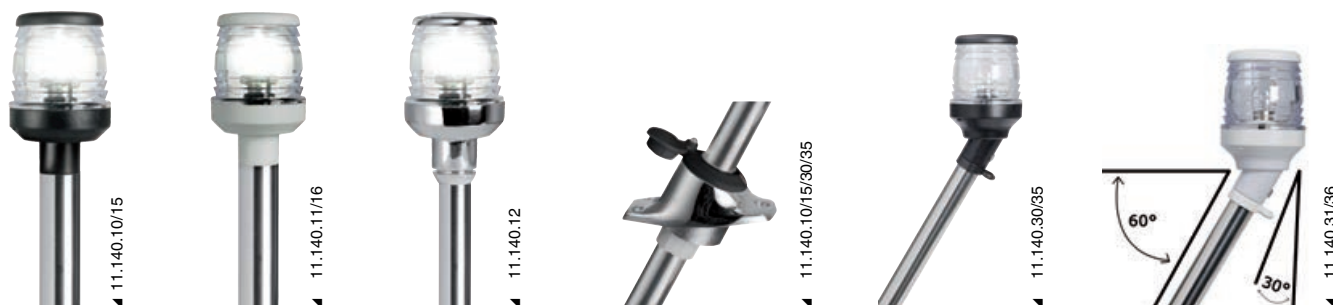
Telescopic angled pole with flag eyelets



LED

For vessels < 20 metres. Thru-hull version. Made of polycarbonate and AISI316 stainless steel. COLREG72-certified.

Version		Length cm	Light colour		LED bulb included	
Standard	With 30° light					
11.140.10	11.140.30	60		Black plastic	14.223.00	(12/24 V - 1,7 W)
11.140.11	11.140.31	60		White plastic	14.223.00	(12/24 V - 1,7 W)
11.140.12	-	60		SS	14.223.00	(12/24 V - 1,7 W)
11.140.15	11.140.35	100		Black plastic	14.223.00	(12/24 V - 1,7 W)
11.140.16	11.140.36	100		White plastic	14.223.00	(12/24 V - 1,7 W)



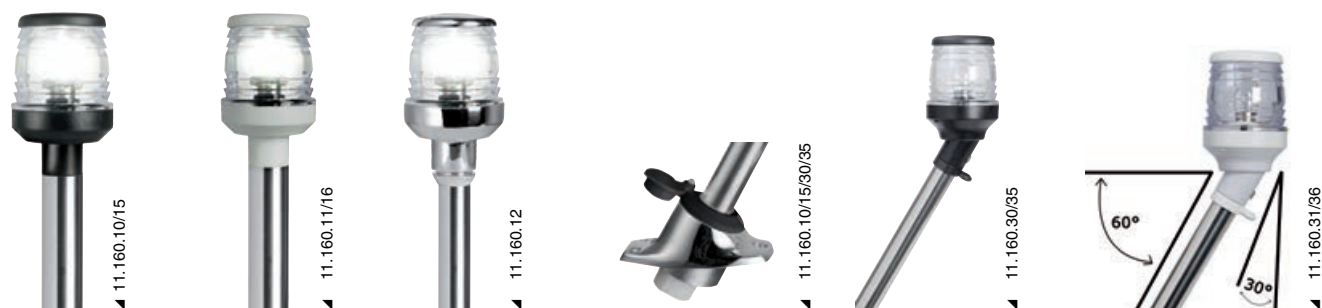
Pull-out sloped pole with flag holding eyelets



LED

For vessels < 20-m long. Pull-out version. Polycarbonate and AISI316 stainless steel light. COLREG72-certified.

Version		Length cm	Light colour		LED bulb included	
Standard	With 30° light					
11.160.10	11.160.30	60		Black plastic	14.223.00	(12/24 V - 1,7 W)
11.160.11	11.160.31	60		White plastic	14.223.00	(12/24 V - 1,7 W)
11.160.12	-	60		Stainless steel	14.223.00	(12/24 V - 1,7 W)
11.160.15	11.160.35	100		Black plastic	14.223.00	(12/24 V - 1,7 W)
11.160.16	11.160.36	100		White plastic	14.223.00	(12/24 V - 1,7 W)



Built-in pull-out with flag holding eyelets

LED

For vessels < 20-m long. Polycarbonate and AISI316 stainless steel light. COLREG72-certified.

Code	Length cm	Light colour		LED bulb included	
11.145.20	100		Black plastic	14.223.00	(12/24 V - 1,7 W)
11.145.21	100		White plastic	14.223.00	(12/24 V - 1,7 W)

