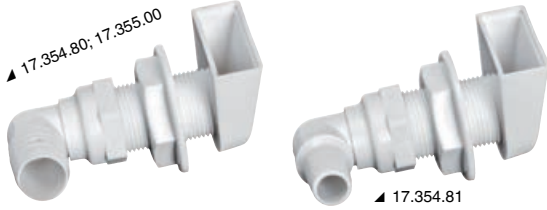


90° elbow skin fitting

Made of nylon, with mirror-polished **stainless steel** front visible ledge and 90° hose connector.

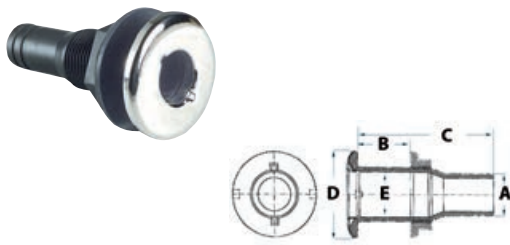
Code	Type	A mm	B mm	C mm	D mm	E mm
17.328.34	3/4"	20	40	53	45	85
17.328.35	1"	25	28	55	51	94
17.328.36	1 1/2"	38	28	70	70	115



Skin fitting

Made of **white plastic**, fitted with 90° hose adaptor.

Code	Type	Thread Ø mm	Length mm	barbed mm
17.354.81	1"	33	42	19
17.354.80	1"	33	42	25
17.355.00	1 1/2"	47	52	38



Black nylon skin fitting

With mirror polished stainless steel visible front ledge.

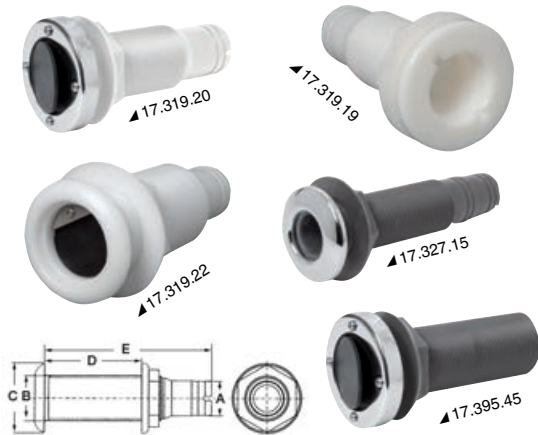
Code	Thread E Ø		Hose adapter A		B mm	C mm	D mm
	mm	inches	mm	inches			
17.327.01	22	7/8"	13	1/2"	32	82.5	38
17.327.02	22	7/8"	16	5/8"	32	82.5	38
17.327.03	33	1 1/4"	20	3/4"	32	82.5	51
17.327.04	33	1 1/4"	25	1"	32	82.5	51
17.327.05	33	1 1/4"	29/32	1 1/4"	32	85.5	57.5
17.327.06	57	2 1/4"	38	1 1/2"	48	111	75
17.327.07	57	2 1/4"	51	2"	48	111	75



Skin fitting

White nylon through hull drains with mirror polished stainless steel front visible ledge and 90° hose adaptor

Nylon with stainless steel head	All nylon	Thread	Ø A mm	B mm	C mm	D mm
17.328.02	17.322.52	1/2"	16	45	42	37
17.328.03	17.322.53	1"	20	44	47	49
17.328.33	-	1"	20	28	53	52
17.328.04	17.322.54	1"	25	46	47	49
17.328.05	17.322.55	1"	29/32	40	70	56
17.328.06	17.322.56	2"	38	61	70	74
17.328.07	17.322.57	2"	50	61	90	74



Skin fitting

Long model made of nylon/fiberglass.

Code	Version	Ø A mm	Thread B	Ø B mm	C mm	D mm	E mm	With check valve
17.319.17	With hose connector	19/20	1" 3/8	35	54	86	144	No
17.319.18	With hose connector	29/32	1" 3/8	35	54	86	152	No
17.319.19	With hose connector	38	2" 1/4	57	73	95	165	No
17.319.22	With hose connector	38	2" 1/4	57	73	95	166	Yes
17.319.23	With hose connector	52	2" 1/4	57	73	45	122	Yes
17.327.14	SS head with hose connector	19/20	1" 3/8	34	58	86	148	No
17.327.15	SS head with hose connector	29/32	1" 3/8	34	58	86	157	No
17.327.16	SS head with hose connector	38	2" 1/4	57	77	95	172	No
17.327.18	SS head with hose connector	38	2" 1/4	57	77	95	172	Yes
17.327.19	SS head with hose connector	53	2" 1/4	57	77	46	126	Yes
17.319.20	SS head with hose connector	38	1" 1/2	48	78	70	135	Yes
17.395.45	SS head, all threaded	-	1" 1/2 - 11BSP	48	78	117	135	Yes



Skin fitting and scupper

Made of **plastic**, fitted with **check valve**.

Code	Thread	A mm	B mm	C mm	D mm
17.319.00	1" 1/2	38	27	112	81
17.319.11	1" 1/2	-	89	127	81

