

**Pull-out LED light pole for table applications**

Designed to light up indoor/outdoor tables. Mirror-polished stainless steel LED light pole, chromed brass lamp holder. Light intensity (100% - 50% - 20% - 0) adjustable by means of a touch switch. 12V power supply through a base 13.440.10/16 sold separately.

| Code      | V  | W   | Lumen | K    | LED beam angle | No of LEDs | Base with AISI 316 stainless steel cap OPTIONAL |
|-----------|----|-----|-------|------|----------------|------------|---|
| 13.440.02 | 12 | 4.2 | 440   | 3000 | 360°           | 48         | 13.440.10; 11.000.27 <b>New</b>                 |



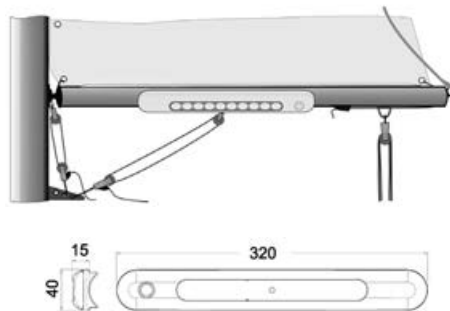
**OSCULATI**



**Freestanding watertight LED light fixture**

**IP66** LED SMD-HD high-efficiency light source. Radial base version with soft silicon seal, ideal for round booms, roll bars and dinghies, etc.

| Code      | Finish | V  | W | Switch | Lumen | K    | LED beam angle | No of LEDs | Lux at 50 cm | mm          |
|-----------|--------|----|---|--------|-------|------|----------------|------------|--------------|-------------|
| 13.192.20 | White  | 12 | 3 | Yes    | 450   | 4000 | 50°            | 10 SMD-HD  | 342          | 320x40x15 h |



**BIMINI compact overhead LED light**

**IP65/67** **LED**

Made of polished stainless steel, technopolymer glass. Recessless mounting.

| Code      | Bottom  | V     | W   | Switch | K    | LED beam angle | No of LEDs | Lux | IP | mm            |
|-----------|---|-------|-----|--------|------|----------------|------------|-----|----|---------------|
| 13.525.01 | Flat  | 12/24 | 1.3 | No     | 3000 | 25°            | 8 HD       | 220 | 67 | 102x33x11 (h) |
| 13.525.02 | Flat  | 12/24 | 1.3 | Yes    | 3000 | 25°            | 8 HD       | 220 | 65 | 102x33x11 (h) |
| 13.525.04 | Soft curved bottom for mounting on 35/50-mm Ø A-frame tubes | 12/24 | 1.3 | Yes    | 3000 | 25°            | 8 HD       | 220 | 65 | 104x35x15 (h) |



**OSCULATI**

