


**Battery box**

With fastening strap and buckle

Code	Made of	For batteries max A·h	←→		Fastening band for spare battery	Band length cm	 PACKAGE
			inside mm	outside mm			
14.546.00	Black moplen	95	265x175x205h	360x240x270h	14.546.03	95	10
14.546.01	White/red moplen	100	320x177x190h	370x210x250h	14.546.03	95	10
14.546.02*	White/yellow moplen	120	384x177x205-->235	440x240x260-->290	14.546.04	110	10

\* Equipped with separation diaphragm to house smaller batteries. Moreover, the cover it is supplied with can be heightened by 30mm by means of 4 shims in order to house 235-mm high instead of 190-mm high 120A batteries.



▲ 14.546.02



▲ 14.546.04



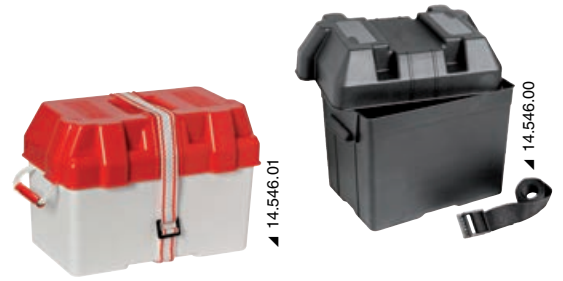
▲ 14.546.03



▲ 14.546.02



▲ 14.546.02



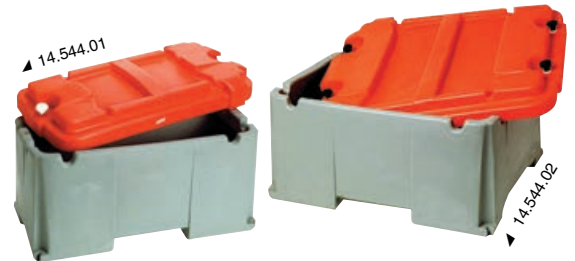
▲ 14.546.01

▲ 14.546.00

**Battery box up to 200 A·h**

Fitted with cover, designed to hold high-capacity batteries, from 120 A·h to 220 A·h (similar to Osculati products 12.408.01/03/04). In compliance with DIN standards for **any brand**.

Code	For	Made of	Base mm	Height mm	←→  mm	
					internal	external
14.544.01	1 battery	Polyethylene	300x600	320	537x237x280 h	605x305x300
14.544.02	2 batteries	Polyethylene	520x585	320	540x470x275 h	600x535x300



▲ 14.544.01

▲ 14.544.02

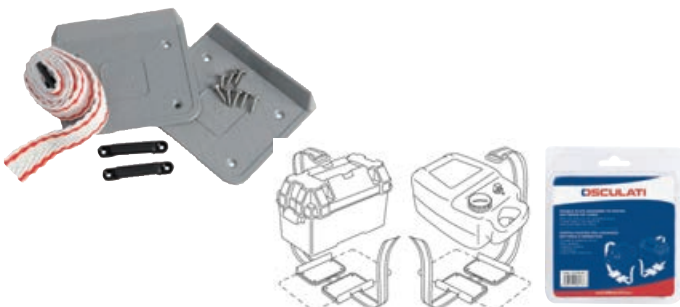
**Power Center Deluxe**

Fitted with external clamps, battery charge LED indicator and accessories.

Code	Made of	Accessories	For batteries max A·h	←→  mm	
				inside	outside
14.547.02	Polypropylene	Watertight power socket with 10A automatic fuse + 2x2.4A watertight dual USB port	105	318x175x257h	421x245x309h



**Double plate designed to fasten batteries or tanks**



Fitted with 135-cm strap, adjustment buckle, 2 plastic plates, 2 jumpers and 8 A2 7982 3.9x16-mm screws.

Code	Made of	←→  mm
14.548.00	plastic	118x105

**Battery tray**



Anti-skid features, keeps the battery on a firm position and collects any acid leakage.

Code	Made of	Batteries up to A·h	←→  mm
14.549.01	black rubber	80	280x177
14.549.02	black rubber	125	355x177