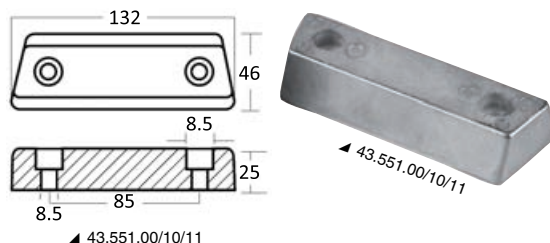
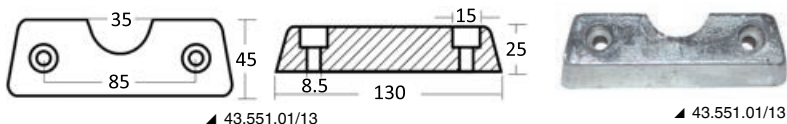


Base anode for Duo Prop foot

Zinc	Aluminium	Magnesium	Original reference
43.551.00	43.551.10	43.551.11	852835-8
43.551.01	-	-	872139-1



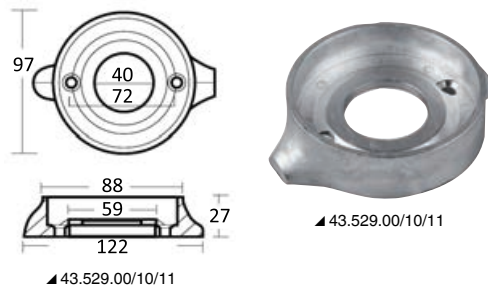
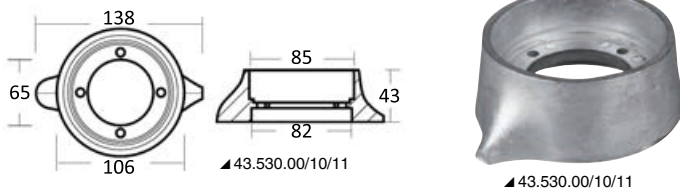
AQ200/290 collar anode leg

Zinc	Aluminium	Magnesium	Original reference
43.528.00	43.528.10	43.528.11	875815



Collar anode for Sail Drive

Zinc	Aluminium	Magnesium	mm	Type	Original reference
43.529.00	43.529.10	43.529.11	Ø 95 x H 27	SAIL DRIVE 120	876286
43.530.00	43.530.10	43.530.11	Ø 106 x H 43	SAIL DRIVE 110	875812



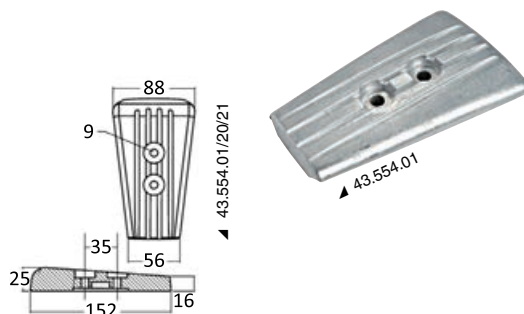
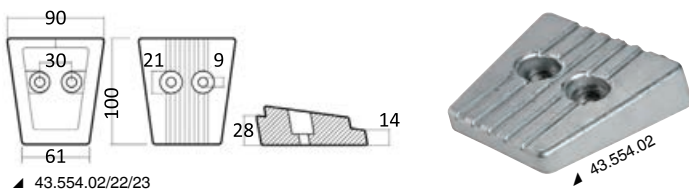
New Volvo DPH / DPR anode for exhaust pipe

Zinc	Aluminium	Magnesium	H	H1	Ø	Original ref.
43.232.01	43.233.01	43.234.01	61	59	38	21868041 - 21700154



Anode legs SX/DPS

Zinc	Aluminium	Magnesium	Orig. Ref.
43.554.01	43.554.20	43.554.21	3888814 / 3883728
43.554.02	43.554.22	43.554.23	3888817 / 3841427



New Volvo DPI anode leg

Aluminium	Magnesium	Original ref.
43.556.01	43.558.01	23520859 - 23520860

