

**New** **Foldable 2-stage electrical table pedestal**

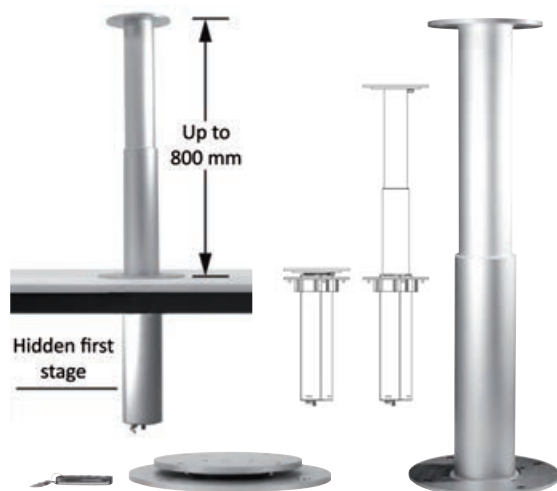
**ELECTRIC**

Made of anodized aluminium with parts for indoor and outdoor installation. To be recessed into the floor, fixed or 90° swivelling system of the table available. A 6-pole switch is needed to reverse polarity and operate the pedestals. Height and colours can be customized for minimum orders of at least 10 pcs.

Code	V	No. of heights	Max A	Speed	Height when folded mm	Height when open mm	Ø upper plate mm	Ø lower plate mm	Max load kg	Upper plate type	OPTIONAL switch
48.745.12	12	2	10	9-12 mm/sec	45	820	270	255	100	Swivelling at 90°	48.749.01
48.746.12	12	2	10	9-12 mm/sec	26	801	200	255	100	Fixed	48.749.01



**NOVAL**

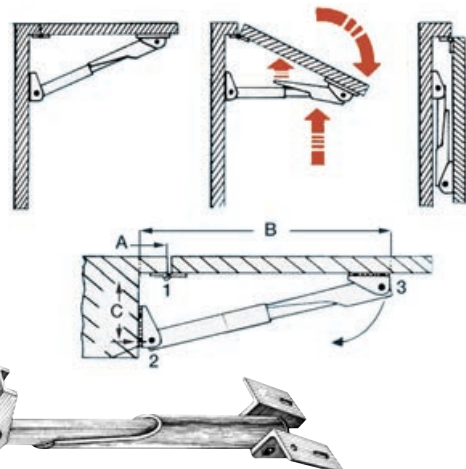
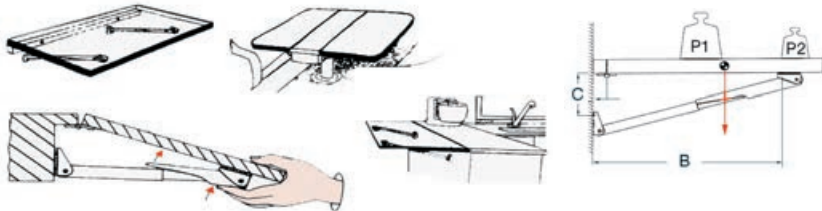


**Folding arms for tip-top tables**

**Rakego foldable arm for tables**

Made of **anodized aluminium**, easy to use, light weight, rust-proof, easy to install and very sturdy.

Code	Ø mm	A mm	B mm	C mm	Max load	
					P1 kg	P2 kg
48.202.00	20	20/30	150	14	60	30
48.302.00	20	23/35	247	44	60	30
48.452.50	25	28/50	402	87	120	60
48.602.50	25	28/40	549	137	140	80



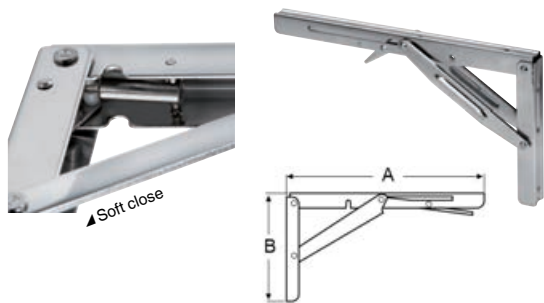
**Folding arm for tables**

**AISI 316**

Made of polished stainless steel.

Code	A mm	B mm	Max load kg	Type	Lock
48.615.00	300	160	150	-	Open
48.615.03	300	160	250	-	Open
48.615.01	305	165	150	-	Open/close
48.615.04 <b>New</b>	305	165	250	-	Open/close
48.615.10	300	160	150	Soft Close*	Open
48.617.00	200	116	150	Short arm	Open

\* Soft close when the device is released



**Folding arm for tables and seats**

Mirror-polished stainless steel, HEAVY DUTY model.

Code	A mm	B mm	Max load kg	Lock
48.616.00	165	320	150	Open only

They can also be used in pairs



**Slip-off folding arms for tables**

Made of polished stainless steel, it can be slipped off their bulkhead support. Sold in pairs. 300-kg max allowable load per pair.

Code	A mm	B mm	Max load kg	Type	Lock
48.615.02	305	165	300 (pair)	Pair	Open/closed

Sold with bulkhead supports to pull out the arm.

